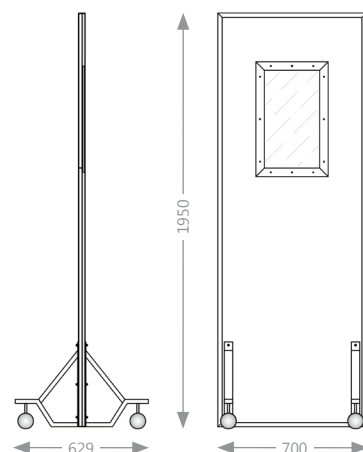


EN

WD204

MAVIG

Series: **WD204**Mobile X-Ray Protective Shield, 0.50 mmPb or 2.00 mmPb
Protection Lead Glass Window: 2.00 mmPb

Made in EU

WD204 – Mobile X-Ray Protective Shield

Working in radiation exposed environment requires appropriate protection. Therefore this mobile shield combines upper and lower body protection.

The modular mobile shield WD204, available in different widths, consists of an upper section with transparent lead glass and a lower shield part. MAVIG offers the mobile shield WD204 with a lead equivalent value of 0.50 mmPb or 2.00 mmPb.

- **MAVIG lead glass with excellent light transmission**
- **Light weight aluminum frame construction**
- **Lead equivalents shield** 0.50 mmPb or 2.00 mmPb (other Pb values on request)
- **Lead equivalent window** 2.00 mmPb
- **Overall widths** 700 to 1700 mm / 27.6 to 66.9 in (in steps of 100 mm / 3.9 in)
- **Overall height** 1950 mm / 76.8 in
- **Overall depth** 629 mm / 24.8 in
- **Lead glass window**
 - W x H: 360 x 460 mm / 14.2 x 18.1 in (for widths of 700 and 800 mm / 27.6 and 31.5 in)
 - W x H: 460 x 460 mm / 18.1 x 18.1 in (for widths of 900 to 1100 mm / 35.4 to 43.3 in)
 - W x H: 560 x 460 mm / 22.0 x 18.1 in (for widths of 1200 and 1300 mm / 47.2 and 51.2 in)
 - W x H: 660 x 460 mm / 26.0 x 18.1 in (for widths of 1400 and 1500 mm / 55.1 and 59.1 in)
 - W x H: 760 x 460 mm / 29.9 x 18.1 in (for widths of 1600 and 1700 mm / 63.0 and 66.9 in)

MAVIG GmbH
X-Ray Protection and
Medical Suspension Systems

Stahlgruberring 5
81829 Munich
Germany

PO Box 82 03 62
81803 Munich
Germany

Phone +49 (0) 89 / 420 96 - 0
Fax +49 (0) 89 / 420 96 - 200
e-Mail info@mavig.com