

EN

# YLED-1F @ Acrobat® Swing

MAVIG

**Lamp Housing**

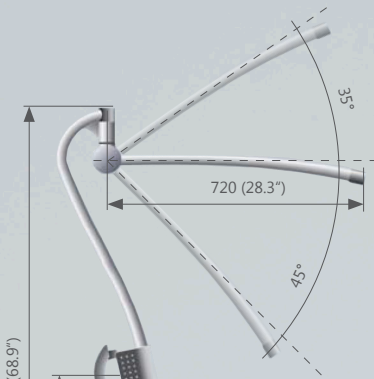
with integrated wide-range power supply, protection class IP44

**Sterilisable Handle**

for convenient positioning and focusing



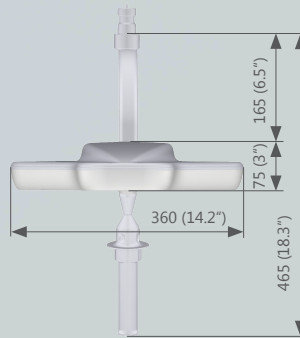
Intuitive control panel



**YLED**



(with CEE 7/VII EU plug)



(depth: 315 (12.4"))



Overall view

- Models:**
- LE5217100** YLED-1F, focusable LED lamp with sterilisable handle, integrated power supply and Acrobat® Swing mobile system (EU), including Acrobat® Swing spring arm comparable with LE5217100, but US version with NEMA 5-15 US plug (hospital grade UL 817)
  - LE5217100-US**

Made in Germany CE, UL

## YLED-1F – LED Lamp with Acrobat® Swing Mobile System

The YLED-1F covers a wide range of applications, from diagnostic to medical examination procedures. It is intuitively controlled by means of the side-mounted control panel and the sterilisable handle.

- **Central light intensity** (at 1 m / 39.4" distance) / **Colour temperature: 70,000 lx / 4100 ± 200 K**
- **Colour rendering index  $R_a$  at 4100 Kelvin (CRI): 95**
- **Focusable light field size** (at 1 m / 39.4" distance): **140 - 250 mm / 5.5 - 9.8"**
- **Electronic brightness control: 50 - 100 %** (incl. endoscopy light function)
- **Sterilisable handle**
- **Temperature increase in head area: 0.5 K**
- **Power consumption (total): 24 VA, at mains voltage 100 - 240 VAC, 50 - 60 Hz**
- **Long lifetime of LEDs: ≥ 60.000 h**
- **Working area: 70 - 140 cm / 27.6 - 55.1" – Height adjustment** (on Acrobat Swing spring arm) **aprox. 123 cm / 48.4"**
- **Housing colour / Weight YLED-1F: RAL 9002 / 2.4 kg**
- **Hazardous substances (EU Directive 2011/65/EU) – RoHS compliant**
- **Housing - Protected against splashed water IP44 / Fire protection class V0**
- **Medical Products Directive 93/42/EEC / Use according to DIN VDE 0100-710 / Approvals: CE, UL**
- **Cable Connection: Cable length 3 m / 118"**

US: US connection cable Hospital Grade with IEC Socket C13, V-Lock  
 EU: EU connection cable with IEC Socket C13, V-Lock



**MAVIG GmbH**  
 X-Ray Protection and  
 Medical Suspension Systems

Stahlgruberring 5  
 81829 Munich  
 Germany

PO Box 82 03 62  
 81803 Munich  
 Germany

Phone +49 (0) 89 / 420 96 - 0  
 Fax +49 (0) 89 / 420 96 - 200  
 e-Mail info@mavig.com