

MD71

Mobile Monitor Cart



MD713: 3x1 up to 27"



MD712: 2x1 up to 27"



MD711: 1x1 up to 32"

MD71

The MD71 monitor cart has been developed as a mobile system for medical facilities, in which ceiling mounting of monitors is not possible. The MD71 provides practical positioning and easy adjustment of X-ray monitors at an ergonomic view.

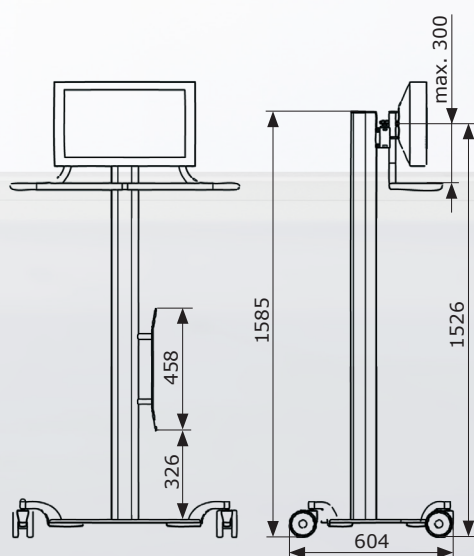
This means that the monitor trolley can always be positioned at the place where it is needed with the greatest possible flexibility and maximum safety.

The new sturdy, space saving base comes with a cable entry at the column base to reduce excess cable and prevent tripping.

Product Features - MD71

- Various designs for up to 3 monitors
- Versatile mounting for 19" to 27" monitors of different combinations
- Moveable, tiltable and swivelable VESA adapters for 75 and 100 mm
- Maximum payload of up to 12.0 kg per VESA adapter
- Power and video cables can be routed inside the system
- An adjustable, practical handlebar for positioning and monitor protection
- 4 antistatic and smooth rolling casters, each with a parking brake
- Easy-to-clean system surface without any sharp edges or pointed corners

Technical Data - MD71



	MD711	MD712	MD713
Capacity / Payload	for 1 monitor / max. 12.0 kg	for 2 monitors / max. 2 x 12.0 kg	for 3 monitors / max. 3 x 12.0 kg
Monitor Width	max. 780 mm	max. 620 mm each	max. 580 mm each
Overall Dimensions (H x W x T)	1585 x 847 x 604 mm	1585 x 1327 x 604 mm	1585 x 1827 x 604 mm
Weight	34.0 kg	37.0 kg	39.0 kg
Packaging (H x W x T)	Box / 64.0 kg 436 x 800 x 1874 mm	Box / 64.0 kg 436 x 800 x 1874 mm	Box / 64.0 kg 436 x 800 x 1874 mm