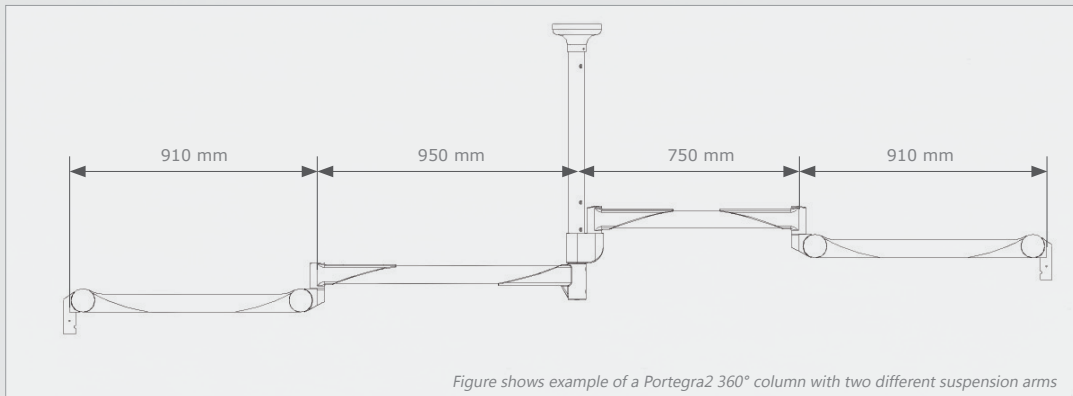


PT2 – Suspension Arm

electrical for lamps / non electrical



PORTEGRA2



Model Variants:	E-LE75-xx	Portegra2 extension/spring arm, 750 / 910 mm, electrical for lamps
	E-LE95-xx	Portegra2 extension/spring arm, 950 / 910 mm, electrical for lamps
	E-OT75-xx	Portegra2 extension/spring arm, 750 / 910 mm, non electrical
	E-OT95-xx	Portegra2 extension/spring arm, 950 / 910 mm, non electrical

Made in Germany



MAVIG Portegra2 Suspension Arm (Extension/Spring Arm)

The MAVIG Portegra2 suspension arm provides the mobility needed so that radiation protection and other equipment can always be positioned where required.

Patented Safety Features: A sophisticated safety collar prevents the separation of the connection joint. This is combined with our safety spring to keep the connection from loosening, allowing a long and trouble-free product life. As well, a defined breaking point, including an internal safety steel cable, provides controlled safety even in case of heavy collision with other equipment.

MAVIG GmbH
X-Ray Protection and
Medical Suspension Systems

Stahlgruberring 5
81829 Munich
Germany

PO Box 82 03 62
81803 Munich
Germany

Phone +49 (0) 89 / 420 96 - 0
Fax +49 (0) 89 / 420 96 - 200
e-Mail info@mavig.com

ELECTRICAL FOR LAMPS		NON ELECTRICAL	
Article number	Weight load range	Article number	Weight load range
E-LE75-3570	3.5 - 7.0 kg (7.7 - 15.4 lbs)	E-OT75-3570	3.5 - 7.0 kg (7.7 - 15.4 lbs)
E-LE75-70120	7.0 - 12.0 kg (15.4 - 26.5 lbs)	E-OT75-70120	7.0 - 12.0 kg (15.4 - 26.5 lbs)
E-LE75-120180	12.0 - 18.0 kg (26.5 - 39.7 lbs)	E-OT75-120180	12.0 - 18.0 kg (26.5 - 39.7 lbs)
E-LE95-3570	3.5 - 7.0 kg (7.7 - 15.4 lbs)	E-OT95-3570	3.5 - 7.0 kg (7.7 - 15.4 lbs)
E-LE95-70120	7.0 - 12.0 kg (15.4 - 26.5 lbs)	E-OT95-70120	7.0 - 12.0 kg (15.4 - 26.5 lbs)
E-LE95-120150	12.0 - 15.0 kg (26.5 - 39.7 lbs)	E-OT95-120150	12.0 - 15.0 kg (26.5 - 39.7 lbs)