



Article Codes: **OT50011**
E-OT25B22

Shield complete with Portegra2 Suspension Arm (extension arm length 75 cm), including non-electrical, preset Portegra2 suspension arm (OT50U050) Replacement Shield and Connection Bar

IEC 60601-1

Made in Germany

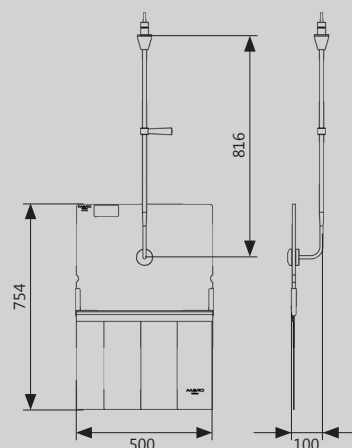


OT50011 – X-Ray Protective Shield

MAVIG's products are designed to offer solid protection and optimized functionality. The high quality acrylic shield allows for an excellent transmittance and unimpeded view. All edges and corners have been rounded and shatter-proof materials are used to minimize risk of injury.

MAVIG's patented Portegra2 suspension arm provides its industry known safety features and movement flexibility. The centrally guided shield with flexible lead rubber panels can be easily positioned over the patient and quickly removed in case of an emergency.

- **Lead Acrylic Shield** WxH: 50 x 39 cm (19.7 x 15.4 in), transparent
- **Centrally guided, with detachable and height-adjustable handle**
- **Flexible lead rubber panels in hygienic PVC cover**
- **Lead Equivalent** Pb 0.50 mm
- **OT50001** Extension / Spring Arm
Lengths: 75 cm / 91 cm (29.5 in / 35.8 in)
Colour: RAL 9002
- **Weight** 8.7 kg (19.2 lbs)



MAVIG GmbH
X-Ray Protection and
Medical Suspension Systems

Stahlgruberring 5
81829 Munich
Germany

PO Box 82 03 62
81803 Munich
Germany

Phone +49 (0) 89 / 420 96 - 0
Fax +49 (0) 89 / 420 96 - 200
e-Mail info@mavig.com