

GD60

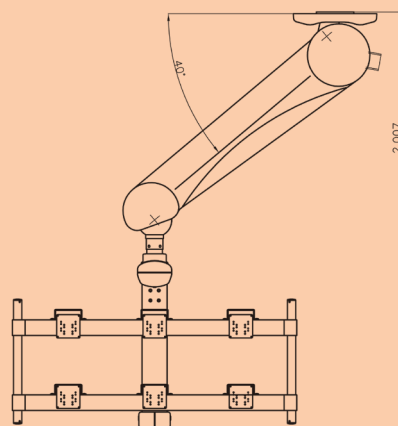
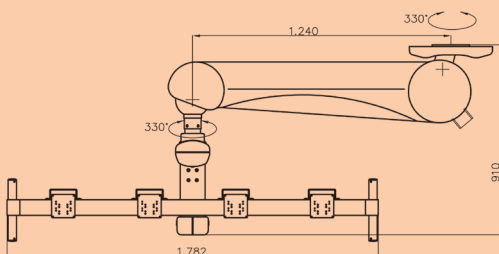


Article-Code: GD60W

Monitor Suspension System – Model GD60

There is no surprise why the GD60 is the industry's go to monitor suspension system. Designed for heavy loads, the GD60 is a perfect solution for multiple monitors or large screen displays. Our patented cardanic joint allows for friction free operation, automatic weight balancing, and collision safety.

- Stationary and ceiling track models
- Supports 1 - 8 monitors
- Compatible with large screen monitors up to 60"
- Weight capacity of up to 80.0 kg / 176.3 lbs
- Cardanic joint for smooth and collision safe performance
- Full internal cabling



MAVIG GmbH

X-Ray Protection & System Solutions

Stahlgruberring 5
81829 Munich
Germany

Ti-Ba Enterprises, Inc.

MAVIG Representation in USA and Canada

25 Hytec Circle
Rochester, NY 146060
USA

Phone: +1-585 247 1212

Fax: +1-585 247 1395

800 836 8422

e-Mail: mavig@ti-ba.com

www.mavig.com